



EASY WRITING EQUIPMENT CEREBRAL PALSY (CP) KIDS

Supervisor: Tg Nur Syarah Bariah Binti Raja Mohd Yazit

Group Memnbers:

- Muhammad Hafizuddin Bin Abdul Razak 08DBK18F1043
- Nur Faza Nasyuha Binti Nadzri 08DBK18F1049
- Muhammad Elzrey Nieshean Bin Md Adam 08DBK18F1064
- Nurul Aida Binti Mat Sayuati 08DBK18F1070



Politeknik Sultan Salahuddin Abdul Aziz Shah

DESCRIPTION OF INNOVATION

Cerebral palsy (CP) is a disability to move or maintain balance or posture. This disability connected with brain problem that caused by abnormal brain development.

Easy writing equipment is focusing on children with CP experience restrictions on handwriting due to difficulties of motor coordination and balance due to damage to the central nervous system and involuntary movements.

This product is an assistive for CP kids to improve their writing and drawing. It is made from pine wood, wing screw and steel. The size of this product is 40cm length and 20cm wide..

IMPACT OF INNOVATION

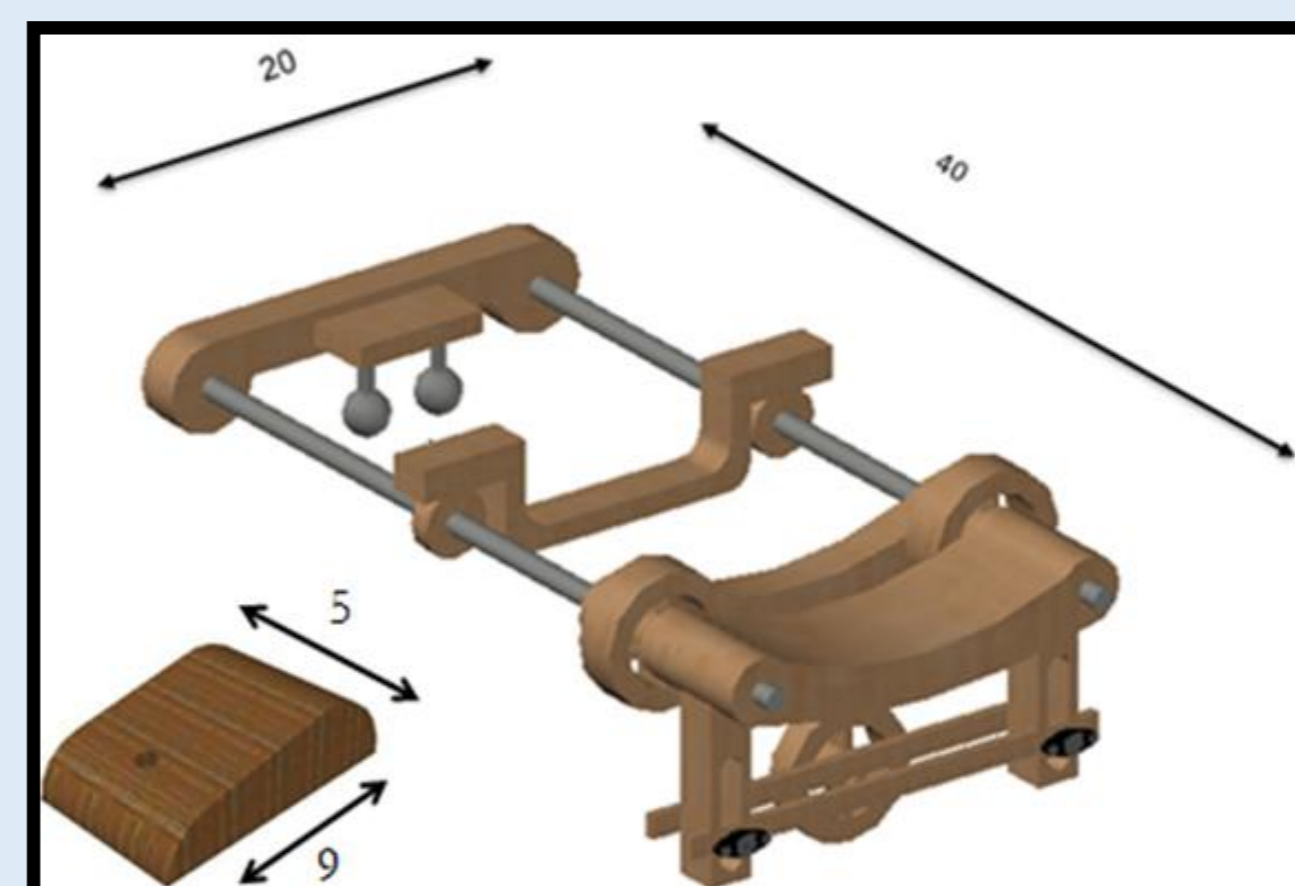
Easy writing equipment would provide stability, resistance, adustability and flexible movement for CP child especially in writing for an educational with enjoyable way.

This product is especially for CP kids at therapy center.

OBJECTIVE

To produce writing equipment for cerebral palsy kids.

DIAGRAM BLOCK



Easy Writing Equipment Diagram