



# ISOEVA-2022

## 6<sup>th</sup> INTERNATIONAL SYMPOSIUM OF EDUCATION AND VALUES

(6. ULUSLARARASI EĐİTİM VE DEĐERLER SEMPOZYUMU)

*27-30 Ekim/October 2022*

*Kemer/ANTALYA*

## TAM METİN KİTABI (FULL TEXT BOOK)

ISBN: 978-605-73901-6-5

**KORINT**  
YAYINCILIK

## IOT SMART PILL BOX

**MUHAMMAD FITRI BIN YUSOF**

POLITEKNIK SULTAN SALAHUDDIN ABDUL AZIZ [SHAH,fitriyusof1022@gmail.com](mailto:SHAH,fitriyusof1022@gmail.com)

**MRS IDA MARIA BINTI MOHD YUSOFF**

POLITEKNIK SULTAN SALAHUDDIN ABDUL AZIZ SHAH [ieamaria80@gmail.com](mailto:ieamaria80@gmail.com)

### ABSTRACT

Smart pill box is a project that helps many people especially old People. The project is using timer to make lifestyle more easily. Particular time and the pills required to take at that time comes out to the user to avoid confusion among medicines. Smart pill box can reduce elderly family member's responsibility towards giving the correct and timely consumption of medicines. Most patients with chronic diseases need to take medications over a prolonged period of time in order to stabilize their conditions. Ensuring that the patients consume their right medication at the appropriate time becomes crucial. This project deals with the time in particular, the Patient needs to take pills. The timing is set to the system initially remind and it can be changed by the patient according to his requirement

**Keywords:** Pill box, pill, medicine

## **INTRODUCTION**

In modern era , lifestyle changes everything in our daily life . that also including our health With the continuous improvement of living standards and the pace of life, more and more people's physical health deterioration, people's major diseases and diseases.there are many difficult and complex diseases. People from all over the city also concentrated to see a doctor, resulting in many cities of medical resources straining, urban hospitals are overcrowded. Among them, the number of infusion patients is also increasing. Many doctor told that food is the source for the diseases . it make very difficult because many good and delicious food in modern era and it very changes lifestyle and many diseases can born

## **PROBLEM STATEMENT**

In day together life, People have trouble to remember the pills they need to take from the bag of medicine. Multiple times the problem is the time required to take medicine is not printed on the box of medicine or they couldnt read English. People have also habit to sometimes forget to take pills. Due to this, some medicines were expired. Most patients with chronic diseases need to take medications over a prolonged period of time in order to stabilize their conditions. Ensuring that the patients consume the right medication at the appropriate time becomes crucial. This project deals with the time at particular, the Patient needs to take pills . In day-to-day life most of the people need to take medicines which was not there in past couple of years and the reason behind this is diseases are increasing in large amount. So sooner or later many people come in contact with these diseases. Some diseases are temporary diseases while many are permanent life threatening diseases. Life threatening diseases gets mixes with the human body in such a way that they can't leave the body ever and they increases in rapid time.

## **LITERATURE REVIEW**

Many medical errors are due to the fact that people in charge of patient or elder's medication have to deal with sorting huge amounts of pills each day. This paper consists on the conception, design and creation of a pillbox prototype intended to solve this deficiency in the medical area as it has the ability of sorting out the pills by itself as well as many other advanced features, with this device being intended to be used by hospitals or retirement homes. This medication pill box is focused on patients who frequently take medications or vitamin supplements, or attendants who deal with the more seasoned or patients. Our smart pill box is programmable that enables medical caretakers or clients to determine the pill amount and timing to take pills, and the service times for every day. Our shrewd pills box contains nine separate sub-boxes.[1]

In day together life, People have trouble to remember the pills they need to take from the bag of medicine. Multiple times the problem is the time required to take medicine is not printed on the box of medicine or they couldn' t read English. People have also habit to sometimes forget to take pills. Due to this, some medicines were expired. Most patients with chronic diseases need to take medications over a prolonged period of time in order to stabilize their conditions. Ensuring that the patients consume the right medication at the appropriate time becomes crucial. This project deals with the time at particular, the Patient needs to take pills. The timing is set to the system initially reminding and it can be changed by the patient according to his requirement. The

system will start alarm at that particular time. To make the user-friendly system, the LCD, and Keypad connected to the system. This helps to change pills time. After having pills, the user must have to put the no. of pills he removed from the box. As, the no. of pills remains very few, the order for the particular pill is sent by the system automatically to medical shop through GSM system. So, it is helpful to user to get the pill at particular time and avoid confusion among pills [2]

Some diseases are temporary diseases while many are permanent life threatening diseases. Life threatening diseases gets mixes with the human body in such a way that they can't leave the body ever and they increases in rapid time. Life span of humans became less because of such diseases and to overcome or to live a better life we need to take medicines regularly and also in large amount. We need to be in advice of Doctor who tells us to take desired pills in desired way so that patients face problems like forgetting pills to take at right time and also when Doctor changes the prescription of medicine patients have to remember the new schedule of medicine. This problem of forgetting to take pills at right time, taking wrong medicines and accidentally taking of expired medicine causes health issues of patient and this leads to suffer from unhealthy life. Our project is to made Arduino-Uno based Smart medicine box which uses Real time clock. [3]

#### METHOD

Several steps were carried out in this research to test the Smart Pill Box has shown in figure 1 . first we analyse the importance our project to the society . the second step we make the literature study about the related article . examine the product and report the result .

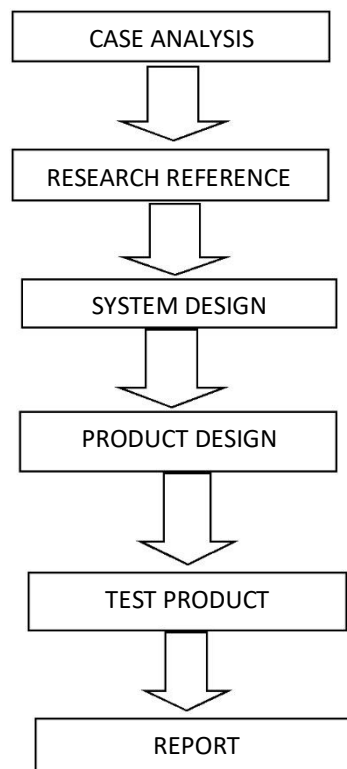


FIGURE 1. FLOWCHART SMART PILL BOX

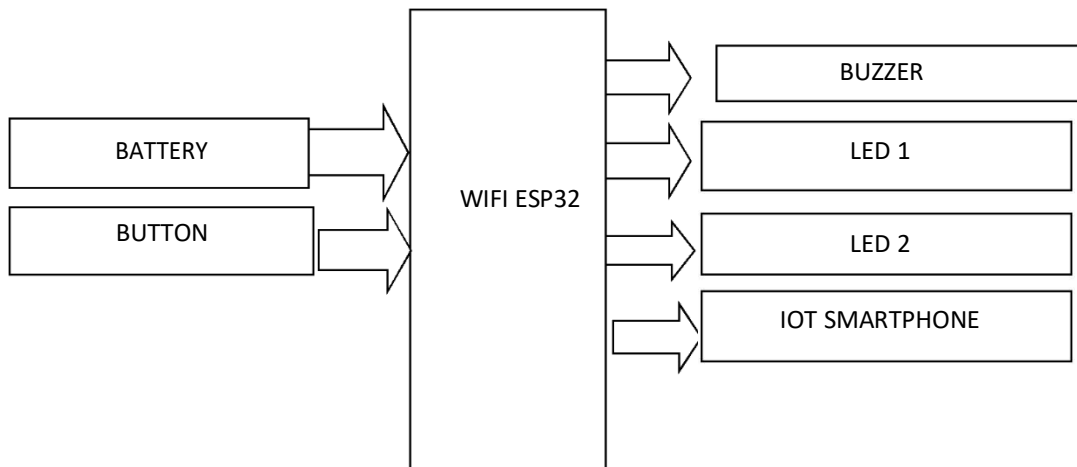


FIGURE 2 .BLOCK DIAGRAM

The circuit in this project has one systems that can work simultaneously .in this block diagram , battery will be power supply for this project and it will active the wifi ESP32 and it will connect with the phone . after that , we can set time from the phone and it will be set . after reaching the appointed time , led 1 and 2 will lit up and buzzer will sounded . it will send notification to the phone .

## CONCLUSION

Implementing of contactless Smart pill box is efficient and the cost price is minimized . it works like the normal timer .this system can be use by many people who need to set their time for consume pill in right time .the economic cost of the seminar ,it will be better quality when come to the life of the system. Smart pill box are proced less when compare to any smart pill box . at the same time ,it is enviroment friendly as because the the disposable wastage is very minimal. Last but not least , it canhelp many people , especialy those who easily forget to take medicine on time .

## REFERENCES

- [1] Daa Salama Abdul Minaam,Mohammad Abd-elfattah .Future computing and informatics journal.Volume 3 issue 2 december 2018, pages 443-456
- [2] Morales suarez ,Varela Mt ,gemecor . study on the use of smart pillbox to improve treatment compliance .28 mar 2009c 41(4)185-191
- [3] Naga swetha r , Mahendar ,Roopsingh.Smart medicine reminder box.btech department of ECE,A GI hyderabad